

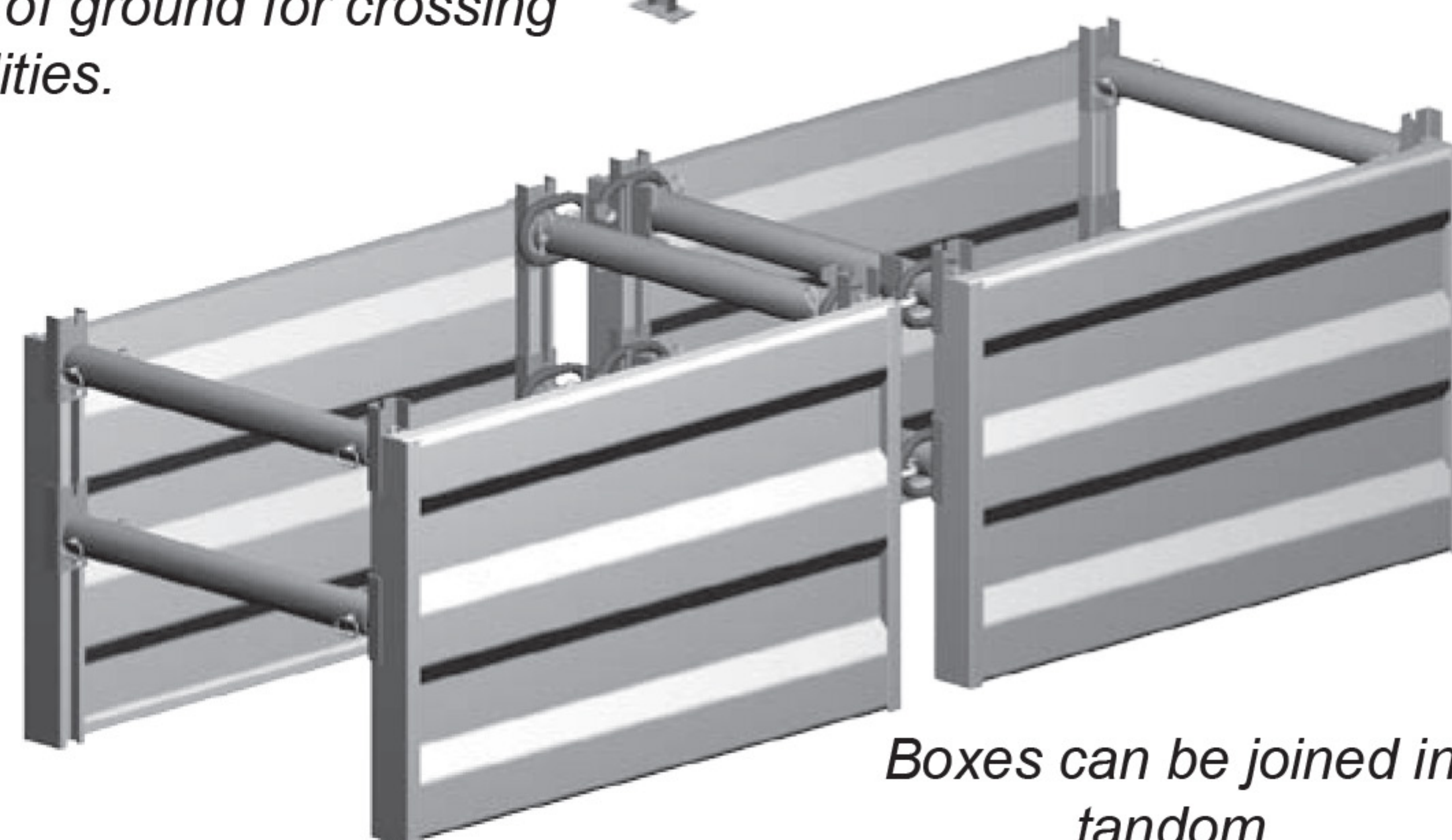


Simple Modular Assembly



Wheel Kits are designed to ride along the edge of a trench on a smooth surface.

Leg Kit can be used to hold safety equipment 2' off of ground for crossing utilities.



Boxes can be joined in tandem

Note: ShoreLite Lite system must be fully assembled before use.

Your unique jobs are possible with the ShoreLite Lite.

3' ShoreLite Lite

2 Aluminum Panels
8 Panel Connectors



(Spreaders not included)

6' ShoreLite Lite

4 Aluminum Panels
12 Panel Connectors
1 Stacking Connector



(Spreaders not included)

9' ShoreLite Lite

6 Aluminum Panels
16 Panel Connectors
2 Stacking Connector



(Spreaders not included)

Side Wall Set

Wgt.

| | |
|---------------|---------|
| SLL - 3' X 5' | 150 LB. |
| SLL - 3' X 6' | 168 LB. |
| SLL - 3' X 7' | 188 LB. |

Side Wall Set

Wgt.

| | |
|---------------|---------|
| SLL - 6' X 5' | 290 LB. |
| SLL - 6' X 6' | 326 LB. |
| SLL - 6' X 7' | 366 LB. |

Side Wall Set

Wgt.

| | |
|---------------|---------|
| SLL - 9' X 5' | 430 LB. |
| SLL - 9' X 6' | 484 LB. |
| SLL - 9' X 7' | 544 LB. |

Spreaders Sold Separately

Accessories

Spreaders - 3' sch 40 pipe, 18" to 120"

Spreader Adjusters - in addition to standard spreaders, adding 2' of adjustment every 6"

Square Connector - join 2 ShoreLite Lite systems to make one 4 sided system for complete coverage

Stacking Connector - connectors come with 6' and 9' systems. Individual kits can be purchased

Tandem System - join two boxes together horizontally

Polyester Slings - 5' and 8' legs with 60 degree rating of 900 - 18,200 lb.



*ALL INFORMATION SUBJECT TO CHANGE WITHOUT NOTICE.

April 2007 Kundel Ind., Inc. P.O. Box 4686 Austintown, OH 44515 Ph 330.259.9009 Fax 330.259.9008